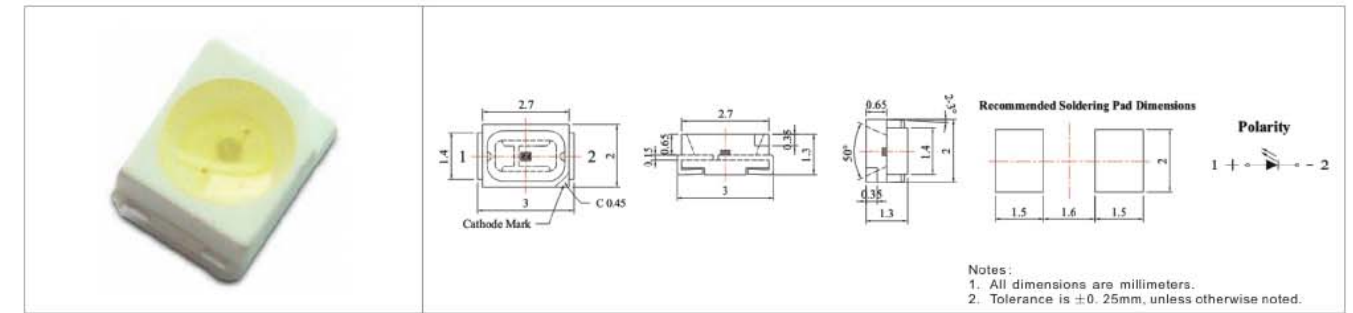


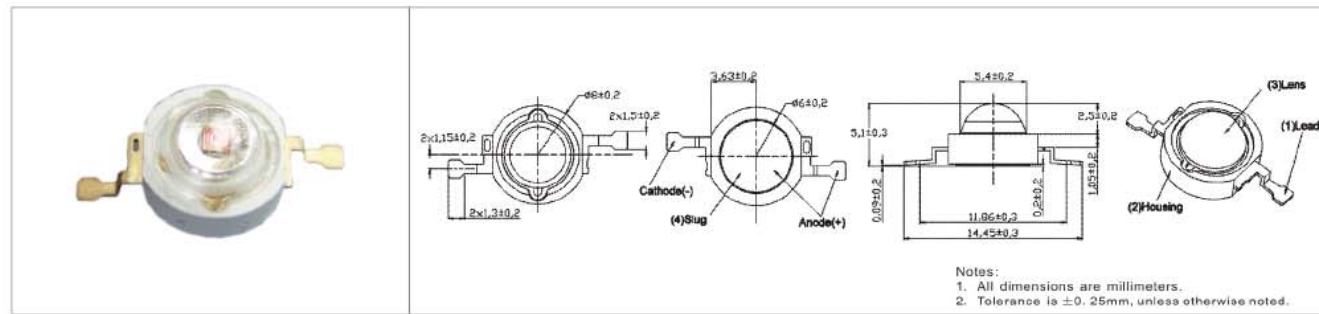
Notes:
1. All dimensions are millimeters.
2. Tolerance is ± 0.25 mm, unless otherwise noted.

Part No.	Power (W)	Emitted Color	Chip Material	Voltage (V)		Current (mA)	Luminous Flux (lm) Typ.	Viewing Angle 2 θ 1/2(°)
				Min.	Max.			
BL-HP30W30A-3W	3	Warm White	InGaN	3.0	4.0	700	170	120
BL-HP30W65A-3W	3	White	InGaN	3.0	4.0	700	175	120



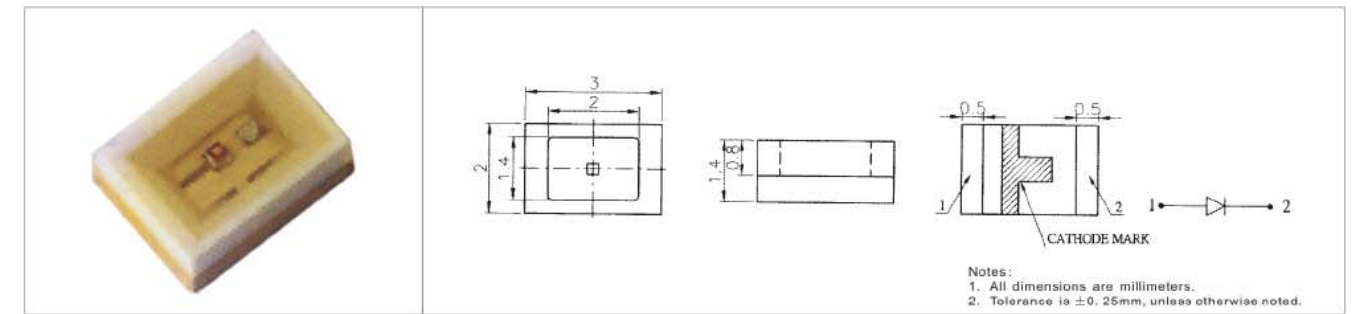
Notes:
1. All dimensions are millimeters.
2. Tolerance is ± 0.25 mm, unless otherwise noted.

Part No.	Emitted Color	Chip Material	Lens Type	Wavelength Ad (nm)	VF (V) @20mA		Iv (mcd) @20mA Typ.	Viewing Angle 2 θ 1/2(°)
					Min.	Typ.		
BL-TOP3020W30-1W120	Warm White	InGaN	Yellow Diffused	0.46/0.43	3.0	3.3	1600	120
BL-TOP3020W100-1W120	Cool White	InGaN	Yellow Diffused	0.30/0.31	3.0	3.3	1500	120



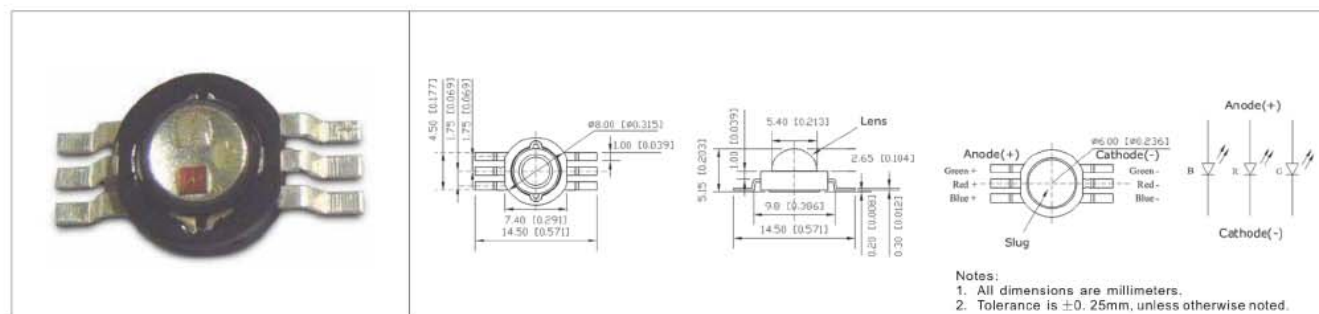
Notes:
1. All dimensions are millimeters.
2. Tolerance is ± 0.25 mm, unless otherwise noted.

Part No.	Power (W)	Emitted Color	Chip Material	Voltage (V)		Current (mA)	Luminous Flux (lm) Typ.	Viewing Angle 2 θ 1/2(°)
				Min.	Max.			
BL-HP30SRA-3W	3	Red	AllInGaP	2.0	3.0	700	110	120
BL-HP30PGA-3W	3	Green	InGaN	3.0	4.0	700	150	120
BL-HP30BA-3W	3	Blue	InGaN	3.0	4.0	700	70	120
BL-HP30UYA-3W	3	Yellow	AllInGaP	2.0	3.0	700	110	120



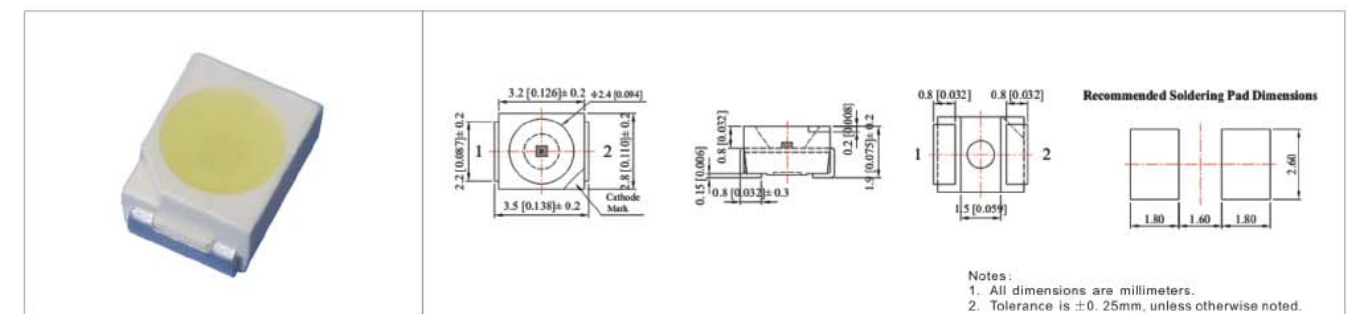
Notes:
1. All dimensions are millimeters.
2. Tolerance is ± 0.25 mm, unless otherwise noted.

Part No.	Emitted Color	Chip Material	Lens Type	Wavelength Ad (nm)	VF (V) @20mA		Iv (mcd) @20mA Typ.	Viewing Angle 2 θ 1/2(°)
					Min.	Typ.		
BL-TOP3020SRC-1SR120	Hyper Red	AlGaInP	Water Clear	624	1.8	2.2	250	120
BL-TOP3020PGC-PG120	Pure Green	InGaN	Water Clear	525	3.0	3.3	450	120
BL-TOP3020BC-1B120	Blue	InGaN	Water Clear	470	3.0	3.3	120	120
BL-TOP3020UYC-1UY120	Ultra Amber	AllInGaP	Water Clear	592	1.8	2.2	200	120



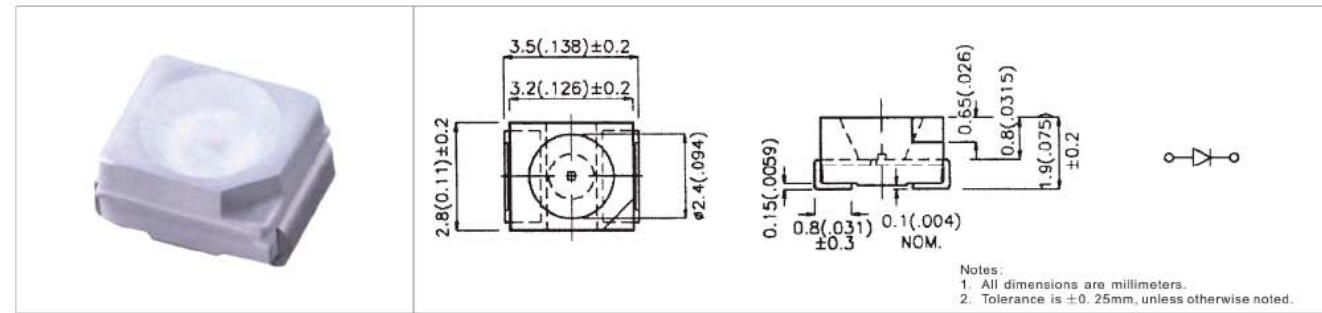
Notes:
1. All dimensions are millimeters.
2. Tolerance is ± 0.25 mm, unless otherwise noted.

Part No.	Power (W)	Emitted Color	Chip Material	Voltage (V)		Current (mA)	Luminous Flux (lm) Typ.	Viewing Angle 2 θ 1/2(°)	
				Min.	Max.				
BL-HP10RGBA-3W	3	Ultra Red	AlGaInP	2.0	3.0	350	40	120	
		Pure Green	InGaN	3.0	4.0				50
		Blue	InGaN	3.0	4.0				15

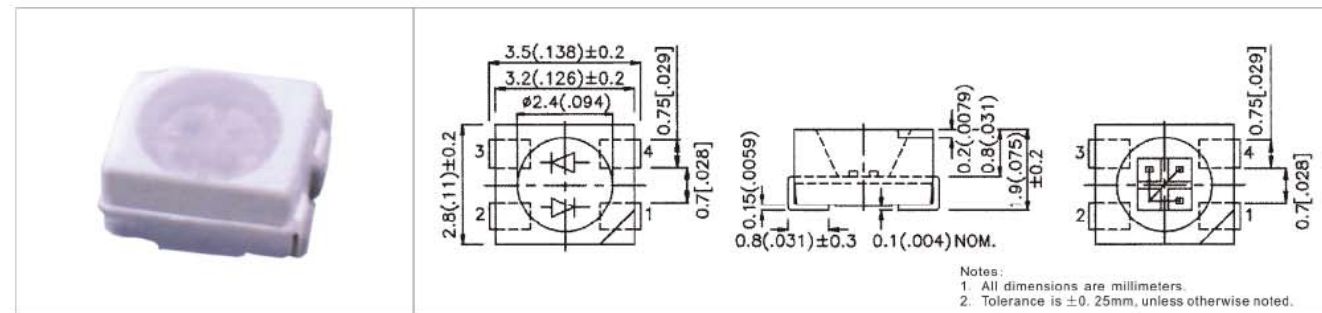


Notes:
1. All dimensions are millimeters.
2. Tolerance is ± 0.25 mm, unless otherwise noted.

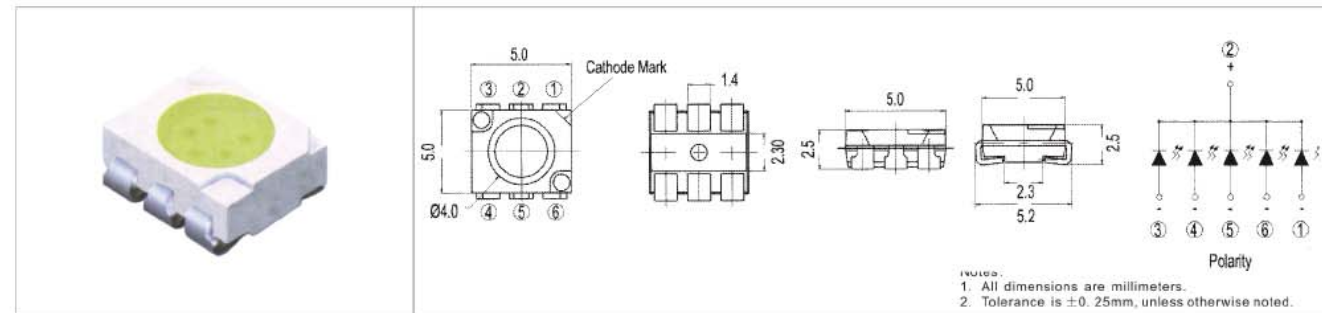
Part No.	Emitted Color	Chip Material	Lens Type	Wavelength Ad (nm)	VF (V) @20mA		Iv (mcd) @20mA Typ.	Viewing Angle 2 θ 1/2(°)
					Min.	Typ.		
BL-TOP3528W30-1W120	Warm White	InGaN	Yellow Diffused	0.46/0.43	3.0	3.3	1600	120
BL-TOP3528W100-1W120	Cool White	InGaN	Yellow Diffused	0.30/0.31	3.0	3.3	1600	120



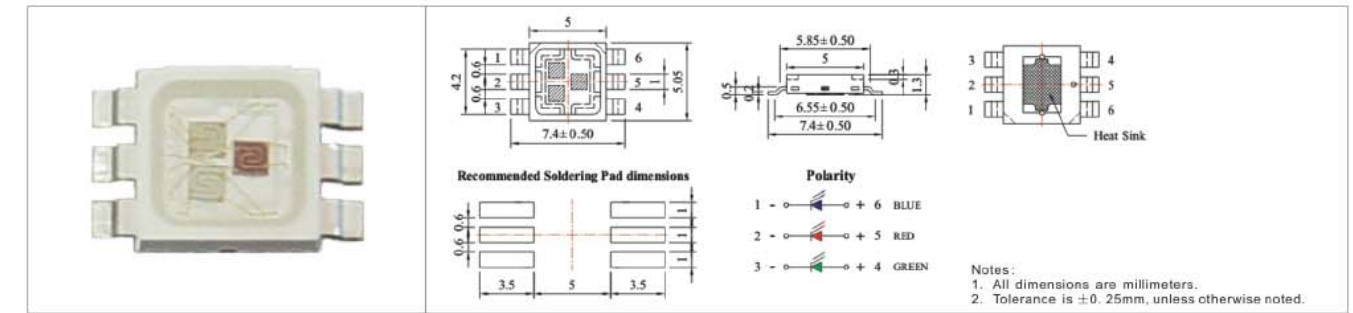
Part No.	Emitted Color	Chip Material	Lens Type	Wavelength Ad (nm)	VF (V) @20mA		Iv (mcd) @20mA	Viewing Angle 2θ 1/2(°)
					Min.	Typ.	Typ.	
BL-TOP3528SRC-1SR120	Hyper Red	AlGaInP	Water Clear	624	1.8	2.2	250	120
BL-TOP3528PGC-1PG120	Pure Green	InGaN	Water Clear	525	3.0	3.3	800	120
BL-TOP3528BC-1B120	Blue	InGaN	Water Clear	470	3.0	3.3	200	120
BL-TOP3528IRC-1IR120	Infrared	GaAlAs	Water Clear	940	0.8	1.2	-	120
BL-TOP3528PTC-1PT120	Phototransistor	Silicon	Water Clear	-	-	-	-	120



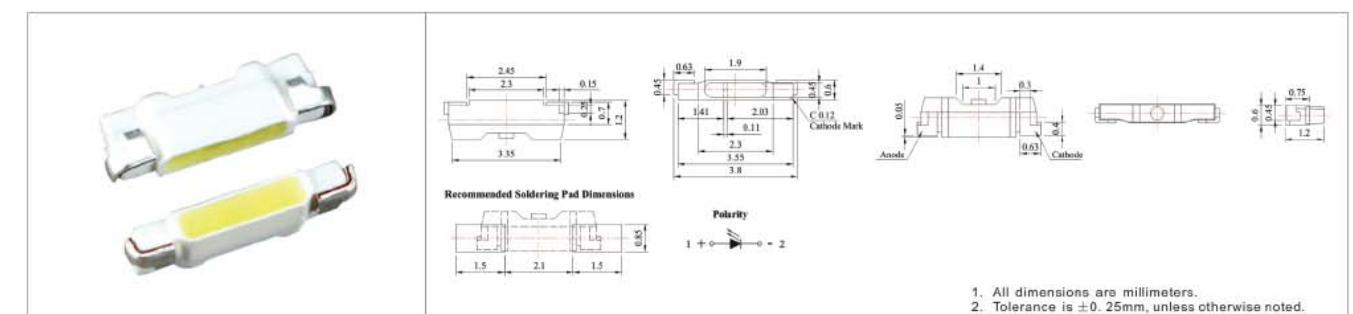
Part No.	Emitted Color	Chip Material	Lens Type	Wavelength Ad (nm)	VF (V) @20mA		Iv (mcd) @20mA	Viewing Angle 2θ 1/2(°)
					Min.	Typ.	Typ.	
BL-TOP3528RGBC-008	Hyper Red	AlGaInP	Water Clear	630	1.8	2.2	170	120
	Pure Green	InGaN		525	3.0	3.3	650	
	Blue	InGaN		470	3.0	3.3	150	



Part No.	Emitted Color	Chip Material	Lens Type	Wavelength Ad (nm)	VF (V) @20mA		Iv (mcd) @20mA	Viewing Angle 2θ 1/2(°)
					Min.	Typ.	Typ.	
BL-TOP5050W30-2W120	Warm White	InGaN	Yellow Diffused	0.43/0.40	3.0	3.3	6000	120
BL-TOP5050W65-1W120	White	InGaN	Yellow Diffused	0.30/0.31	3.0	3.3	4000	120
BL-TOP5050W100-2W120	Cool White	InGaN	Yellow Diffused	0.28/0.29	3.0	3.3	6000	120



Part No.	Emitted Color	Chip Material	Lens Type	Wavelength Ad (nm)	VF (V) @20mA		Iv (mcd) @20mA	Viewing Angle 2θ 1/2(°)
					Min.	Typ.	Typ.	
BL-TOP5050RGBC-001	Hyper Red	AlGaInP	Water Clear	630	1.8	2.2	13000	120
	Pure Green	InGaN		525	3.0	3.3	12000	
	Blue	InGaN		470	3.0	3.3	4000	
BL-TOP5050RGBC-002	Hyper Red	AlGaInP	Water Clear	630	1.8	2.2	720	120
	Pure Green	InGaN		525	3.0	3.3	1300	
	Blue	InGaN		470	3.0	3.3	350	
BL-TOP5050RGBC-003	Hyper Red	AlGaInP	Water Clear	630	1.8	2.2	720	120
	Pure Green	InGaN		525	3.0	3.3	1300	
	Blue	InGaN		470	3.0	3.3	350	
BL-TOP5050RGBC-008	Hyper Red	AlGaInP	Water Clear	630	1.8	2.2	280	120
	Pure Green	InGaN		525	3.0	3.3	900	
	Blue	InGaN		470	3.0	3.3	240	



Part No.	Emitted Color	Chip Material	Lens Type	Wavelength Ad (nm)	VF (V) @20mA		Iv (mcd) @20mA	Viewing Angle 2θ 1/2(°)
					Min.	Typ.	Typ.	
BL-TOP020W30-1W120	Warm White	InGaN	Yellow Diffused	0.46/0.43	3.0	3.3	1600	120
BL-TOP020W100-1W120	Cool White	InGaN	Yellow Diffused	0.30/0.31	3.0	3.3	1600	120

TOP SMD LED