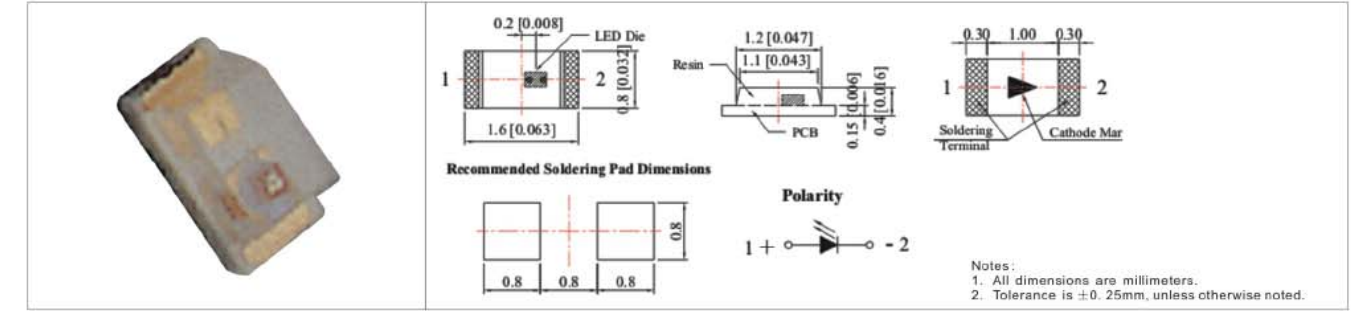
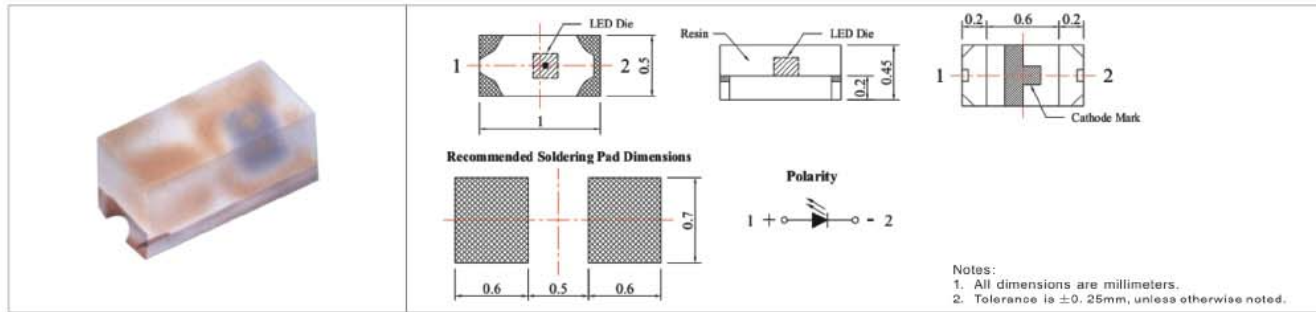


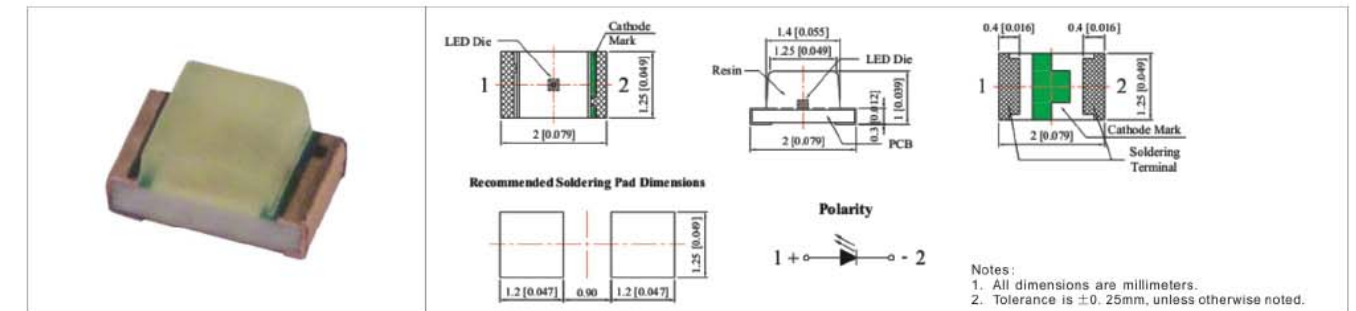
Part No.	Emitted Color	Chip Material	Lens Type	Wavelength Ad (nm)	VF (V) @20mA		Iv (mcd) @20mA	Viewing Angle 2θ ½(°)
					Min.	Typ.	Typ.	
BL-PCB0402W100-1W120	White	InGaN	Yellow Diffused	0.30/0.31	3.0	3.3	200	120



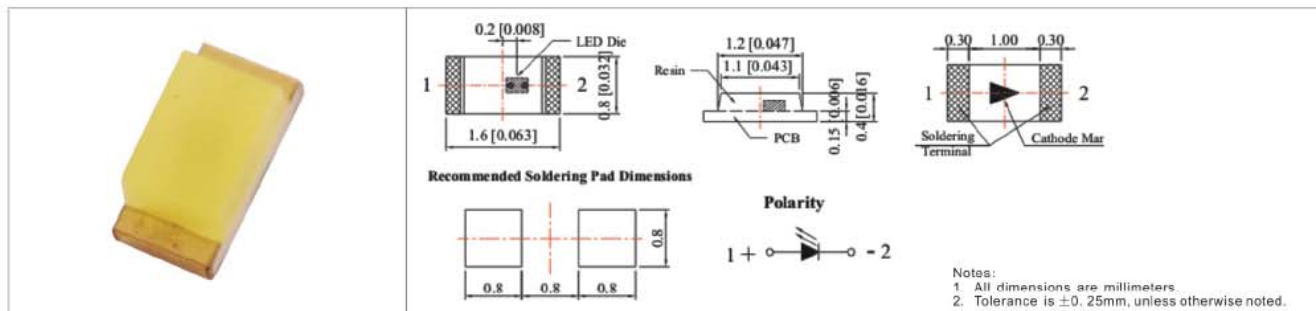
Part No.	Emitted Color	Chip Material	Lens Type	Wavelength Ad (nm)	VF (V) @20mA		Iv (mcd) @20mA	Viewing Angle 2θ ½(°)
					Min.	Typ.	Typ.	
BL-PCB0603SRC-1SR140	Hyper Red	AlGaInP	Water Clear	630	1.8	2.2	150	120
BL-PCB0603PGC-1PG140	Pure Green	InGaN	Water Clear	525	3.0	3.3	500	120
BL-PCB0603BC-1B140	Blue	InGaN	Water Clear	470	3.0	3.3	80	120
BL-PCB0603GC-1G140	Yellow Green	AlGaInP	Water Clear	572	1.8	2.2	100	120



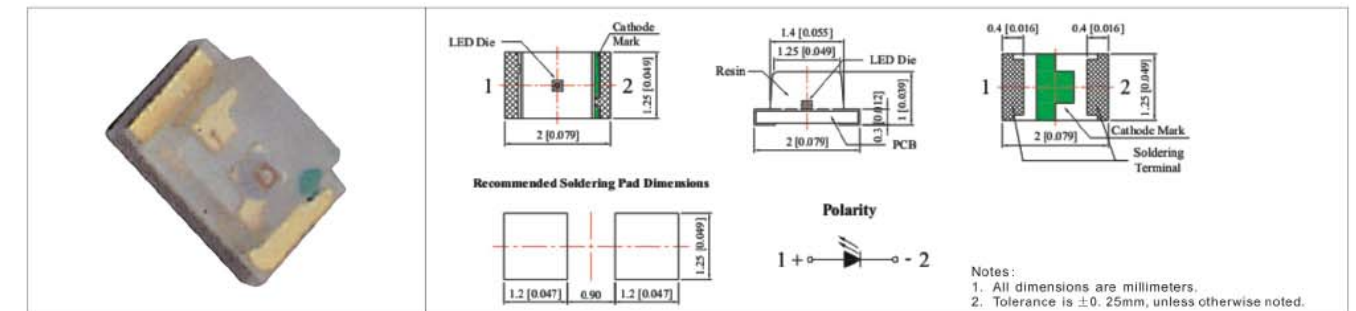
Part No.	Emitted Color	Chip Material	Lens Type	Wavelength Ad (nm)	VF (V) @20mA		Iv (mcd) @20mA	Viewing Angle 2θ ½(°)
					Min.	Typ.	Typ.	
BL-PCB0402SR-1SR120	Hyper Red	AlGaInP	Water Clear	630	1.8	2.2	100	120
BL-PCB0402PGC-1PG120	Pure Green	InGaN	Water Clear	525	3.0	3.3	250	120
BL-PCB0402BC-1B120	Blue	InGaN	Water Clear	470	3.0	3.3	80	120
BL-PCB0402UYC-1UY120	Yellow	AlGaInP	Water Clear	592	1.8	2.2	100	120



Part No.	Emitted Color	Chip Material	Lens Type	Wavelength Ad (nm)	VF (V) @20mA		Iv (mcd) @20mA	Viewing Angle 2θ ½(°)
					Min.	Typ.	Typ.	
BL-PCB0805W100-1W120	White	InGaN	Yellow Diffused	0.30/0.31	3.0	3.3	500	120



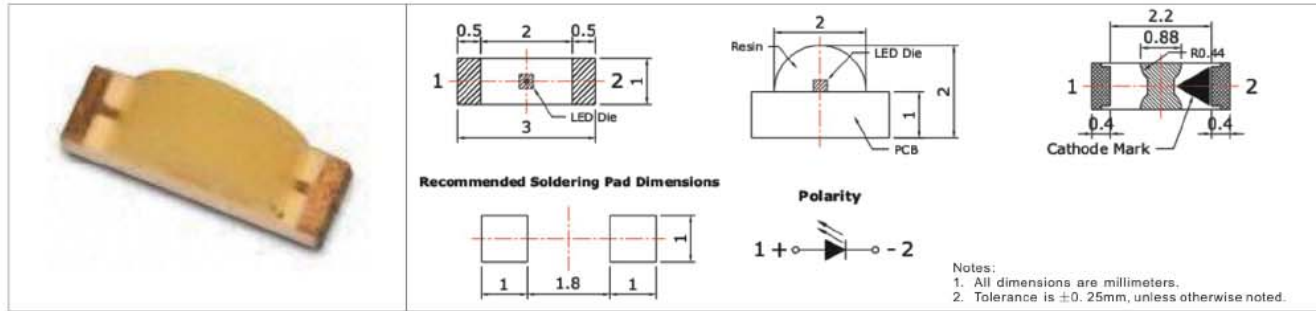
Part No.	Emitted Color	Chip Material	Lens Type	Wavelength Ad (nm)	VF (V) @20mA		Iv (mcd) @20mA	Viewing Angle 2θ ½(°)
					Min.	Typ.	Typ.	
BL-PCB0603W100-1W140	White	InGaN	Yellow Diffused	0.30/0.31	3.0	3.3	250	120



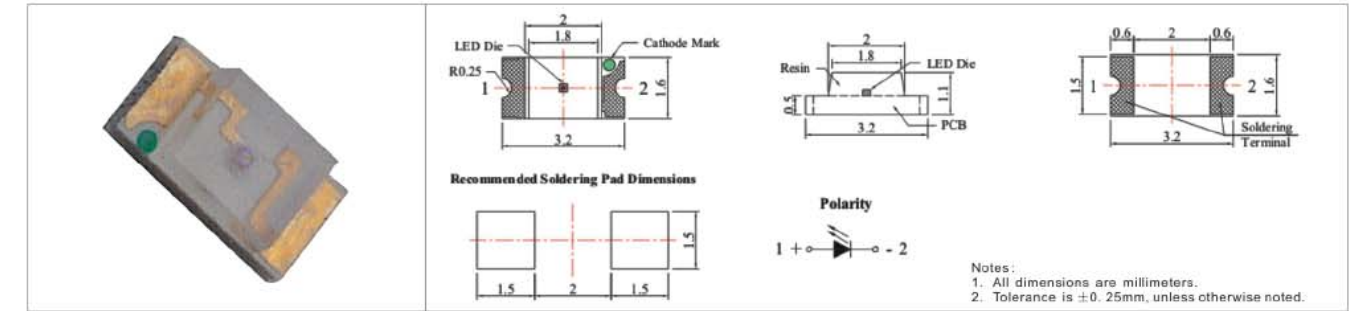
Part No.	Emitted Color	Chip Material	Lens Type	Wavelength Ad (nm)	VF (V) @20mA		Iv (mcd) @20mA	Viewing Angle 2θ ½(°)
					Min.	Typ.	Typ.	
BL-PCB0805SRC-1SR120	Hyper Red	AlGaInP	Water Clear	630	1.8	2.2	80	120
BL-PCB0805PGC-1PG120	Pure Green	InGaN	Water Clear	525	3.0	3.3	250	120
BL-PCB0805BC-1B120	Blue	InGaN	Water Clear	570	3.0	3.3	80	120
BL-PCB0805UYC-1UY120	Super Yellow	AlGaInP	Water Clear	592	1.8	2.2	165	120
BL-PCB0805PTC-1PT120	Phototransistor	Silicon	Water Clear	-	-	-	-	120

PCB SMD LED

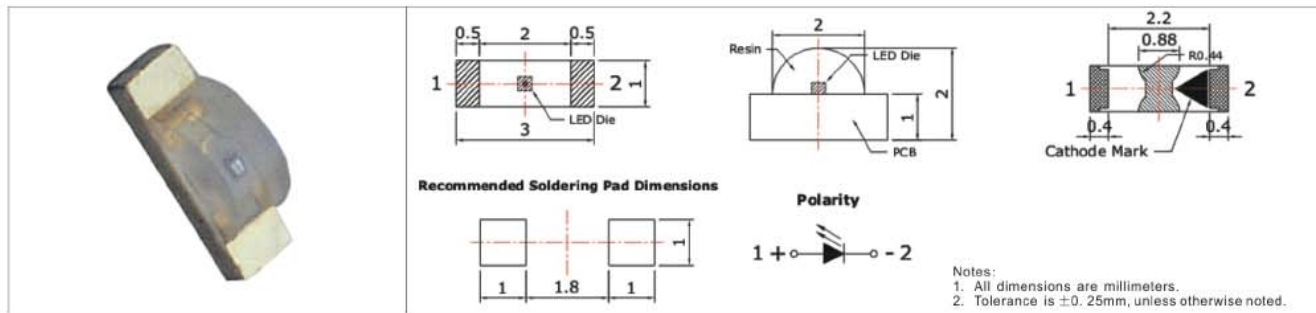




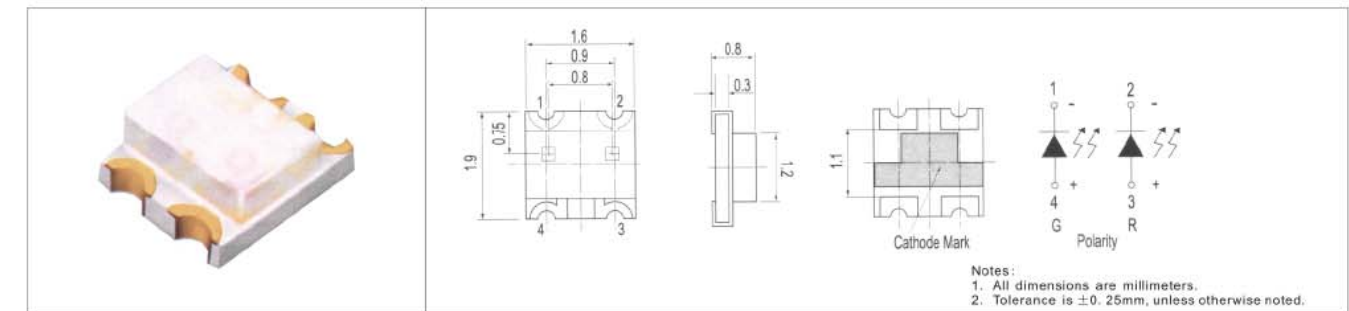
Part No.	Emitted Color	Chip Material	Lens Type	Wavelength Ad (nm)	VF (V) @20mA		Iv (mcd) @20mA	Viewing Angle 2θ 1/2(°)
					Min.	Typ.	Typ.	
BL-PCB1204W100-1W120	White	InGaN	Yellow Diffused	0.30/0.31	3.0	3.3	150	120



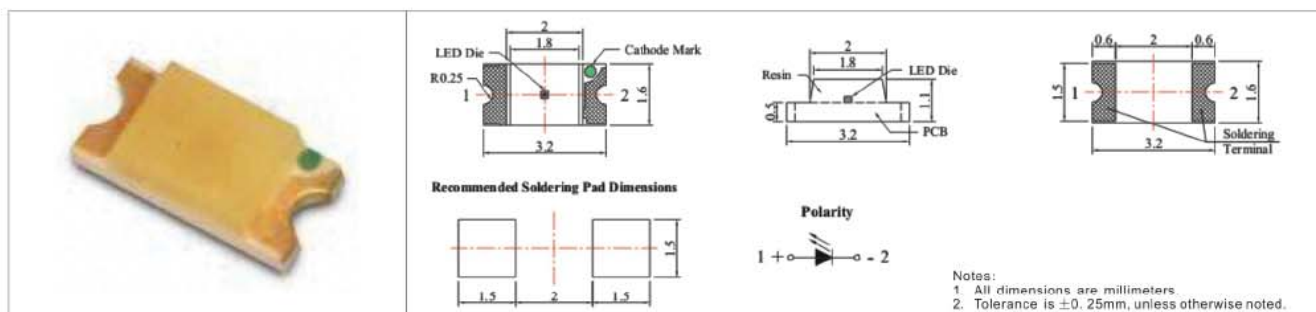
Part No.	Emitted Color	Chip Material	Lens Type	Wavelength Ad (nm)	VF (V) @20mA		Iv (mcd) @20mA	Viewing Angle 2θ 1/2(°)
					Min.	Typ.	Typ.	
BL-PCB1206SRC-1SR120	Hyper Red	AlGaInP	Water Clear	630	1.8	2.2	150	120
BL-PCB1206PGC-1PG120	Pure Green	InGaN	Water Clear	525	3.0	3.3	500	120
BL-PCB1206BC-1B120	Blue	InGaN	Water Clear	470	3.0	3.3	80	120
BL-PCB1206UYC-1UY120	Super Amber	AlGaInP	Water Clear	592	1.8	2.2	100	120
BL-PCB1206GC-1G120	Yellow Green	AlGaInP	Water Clear	572	1.8	2.2	50	120
BL-PCB1206PTC-1PT120	Phototransistor	Silicon	Black	-	-	-	-	120



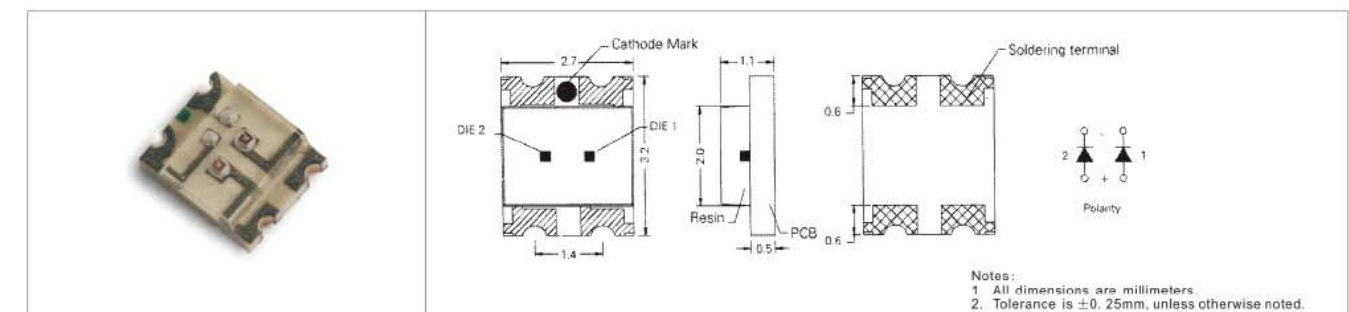
Part No.	Emitted Color	Chip Material	Lens Type	Wavelength Ad (nm)	VF (V) @20mA		Iv (mcd) @20mA	Viewing Angle 2θ 1/2(°)
					Min.	Typ.	Typ.	
BL-PCB1204SRC-1SR120	Hyper Red	AlGaInP	Water Clear	630	1.8	2.2	70	120
BL-PCB1204PGC-1PG120	Pure Green	InGaN	Water Clear	525	3.0	3.3	560	120
BL-PCB1204BC-1B120	Blue	InGaN	Water Clear	470	3.0	3.3	45	120
BL-PCB1204UYC-1UY120	Yellow	AlGaInP	Water Clear	592	1.8	2.2	70	120
BL-PCB1204GC-1G120	Yellow Green	AlGaInP	Water Clear	452	1.8	2.2	35	120



Part No.	Emitted Color	Chip Material	Lens Type	Wavelength Ad (nm)	VF (V) @20mA		Iv (mcd) @20mA	Viewing Angle 2θ 1/2(°)
					Min.	Typ.	Typ.	
BL-PCB0706SRG	Hyper Red	AlGaInP	Water Clear	630	1.8	2.1	40	120
	Yellow Green	AlGaInP		572	1.9	2.2	25	



Part No.	Emitted Color	Chip Material	Lens Type	Wavelength Ad (nm)	VF (V) @20mA		Iv (mcd) @20mA	Viewing Angle 2θ 1/2(°)
					Min.	Typ.	Typ.	
BL-PCB1206W100-1W120	White	InGaN	Yellow Diffused	0.30/0.31	3.0	3.3	250	120



Part No.	Emitted Color	Chip Material	Lens Type	Wavelength Ad (nm)	VF (V) @20mA		Iv (mcd) @20mA	Viewing Angle 2θ 1/2(°)
					Min.	Typ.	Typ.	
BL-PCB1210RGC	Super Red	GaAlAs	Water Clear	660	1.8	2.1	15	120
	Yellow Green	GaP		572	1.9	2.2	10	

PCB SMD LED