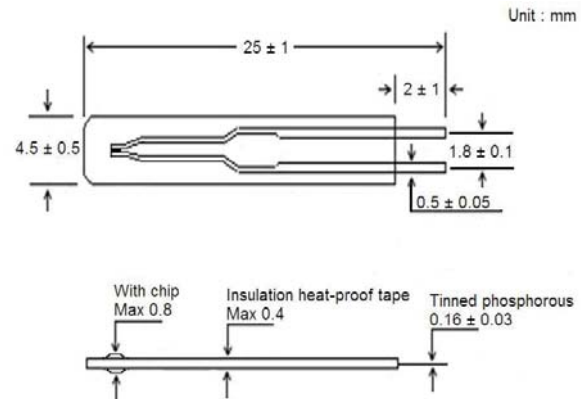


TJ Series



FEATURES

- Suitable for narrow space
- Fast thermal response
- Elastic and solder easily

The TJ thermistor possesses ultra thinness of $500\mu\text{m}$ and superior electrical insulation. It is possible to use with safety in ambience where might contact with electrodes.

SPECIFICATIONS

Item	Symbol	Conditions	Specification	Unit
Resistance at T_a	R25	$T_a = 25^\circ\text{C}$	1,000 ~ 100,000	Ω
B constant	B	$25^\circ\text{C} / 85^\circ\text{C}$	3100 ~ 4665	K
Thermal dissipation constant	C	$T_a = 25^\circ\text{C}$	0.7	mW/ $^\circ\text{C}$
Thermal time constant	T	$T_a = 25^\circ\text{C}$	5	sec
Operating temp. range	---	---	- 40 ~ 100	$^\circ\text{C}$



ORDERING INFORMATION

ES TJ 103 H 3435 F - 025 HF

E WAY Sensor

Thin-Film Thermistor

Resistance at 25°C :

- 102 = $10 \times 10^2 = 1,000 \Omega$
- 103 = $10 \times 10^3 = 10,000 \Omega$
- 104 = $10 \times 10^4 = 100,000 \Omega$

R Tolerance :

- F:±1% ; G:±2% ; H:±3% ; J:±5% ; K:±10%

B Value (K) :

B Tolerance :

- F:±1% ; G:±2% ; H:±3% ; J:±5%

Length (all) :

- 025 = 25 mm
- 032 = 32 mm
- 050 = 50 mm

Halogen Type :

- Blank = Not Halogen Free
- HF = Halogen Free