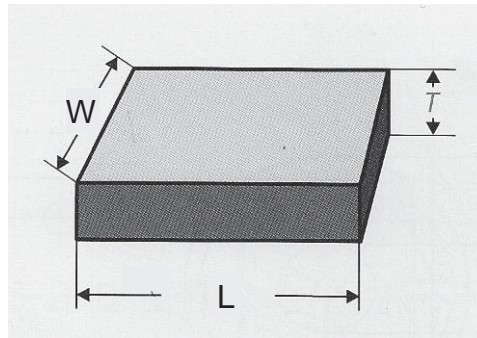


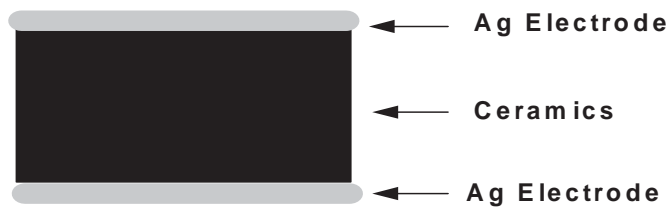
BARE CHIP DIMENSION



| ITEM | L (mm) | W (mm) | T (mm) |
|-------------|-------------|-------------|-------------|
| EWTC-080805 | 0.80 ± 0.10 | 0.80 ± 0.10 | 0.50 ± 0.05 |
| EWTC-121210 | 1.20 ± 0.10 | 1.20 ± 0.10 | 1.00 ± 0.05 |

※ Please inquire to our sales for other specifications.

BARE CHIP STRUCTURE



SPECIFICATIONS

| R ₂₅ (KΩ) | R Tolerance (%) | B(25°C/85°C) (K) | B Tolerance (%) |
|----------------------|-----------------|------------------|-----------------|
| 10 | 1、2、3、5 | 3435 | 1、2、3 |



ORDERING INFORMATION

EWTC 08 08 05 - 103 H 3I**Bare Chip Series Code**

EWTC – Oblong shape

EWTR – Round shape

Chip Length (L) :

08 = 0.8 mm

12 = 1.2 mm

Chip Width (W) :

08 = 0.8 mm

12 = 1.2 mm

Chip Thickness (T) :

05 = 0.5 mm

10 = 1.0 mm

Resistance at 25°C :103 = $10 \times 10^3 = 10000 \Omega$ **Resistance Tolerance :**

F=±1% ; G=±2% ; H=±3% ; J=±5% ; K=±10

B Value (K) :

3I = 3435 (3000 + 435)

| | | | |
|----------|-----------|-----------|-----------|
| 1:1000 | C:101~150 | I:401~450 | O:701~750 |
| 2:2000 | D:151~200 | J:451~500 | P:751~800 |
| 3:3000 | E:201~250 | K:501~550 | Q:801~850 |
| 4:4000 | F:251~300 | L:551~600 | R:851~900 |
| A:0~50 | G:301~350 | M:601~650 | S:901~950 |
| B:51~100 | H:351~400 | N:651~700 | T:951~999 |